

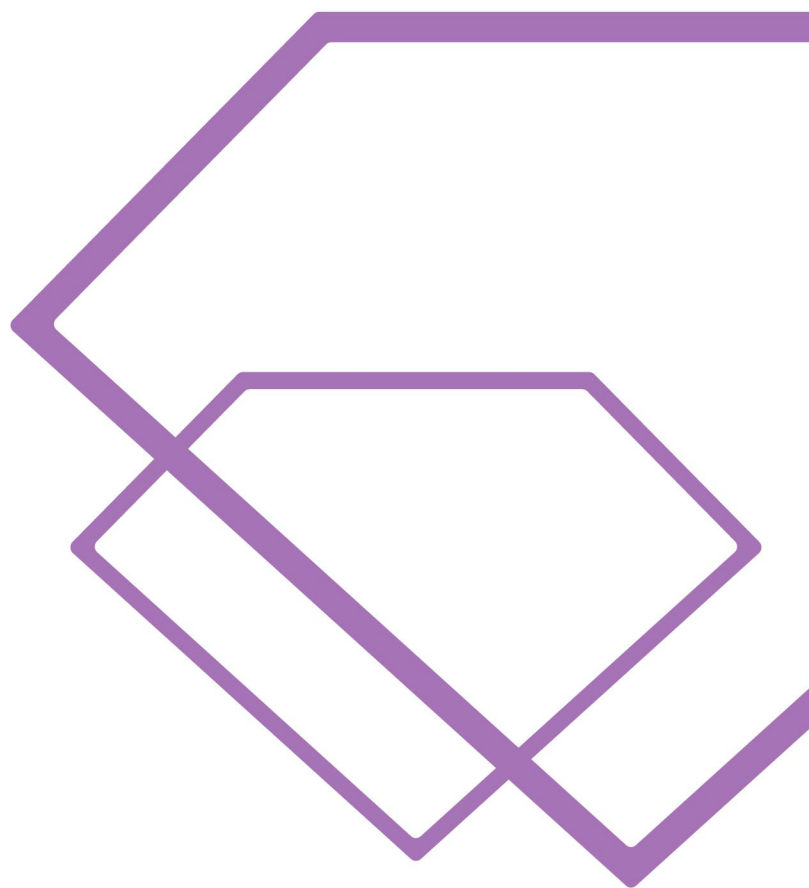
中国高端电脑缝纫机

CHINESE HIGH-END COMPUTERIZED SEWING MACHINE

HIKARI® 富山

零件手册

PARTS BOOK



HK2900 系列
Series

电脑直驱套结机

COMPUTER BAR-TACKING MACHINE

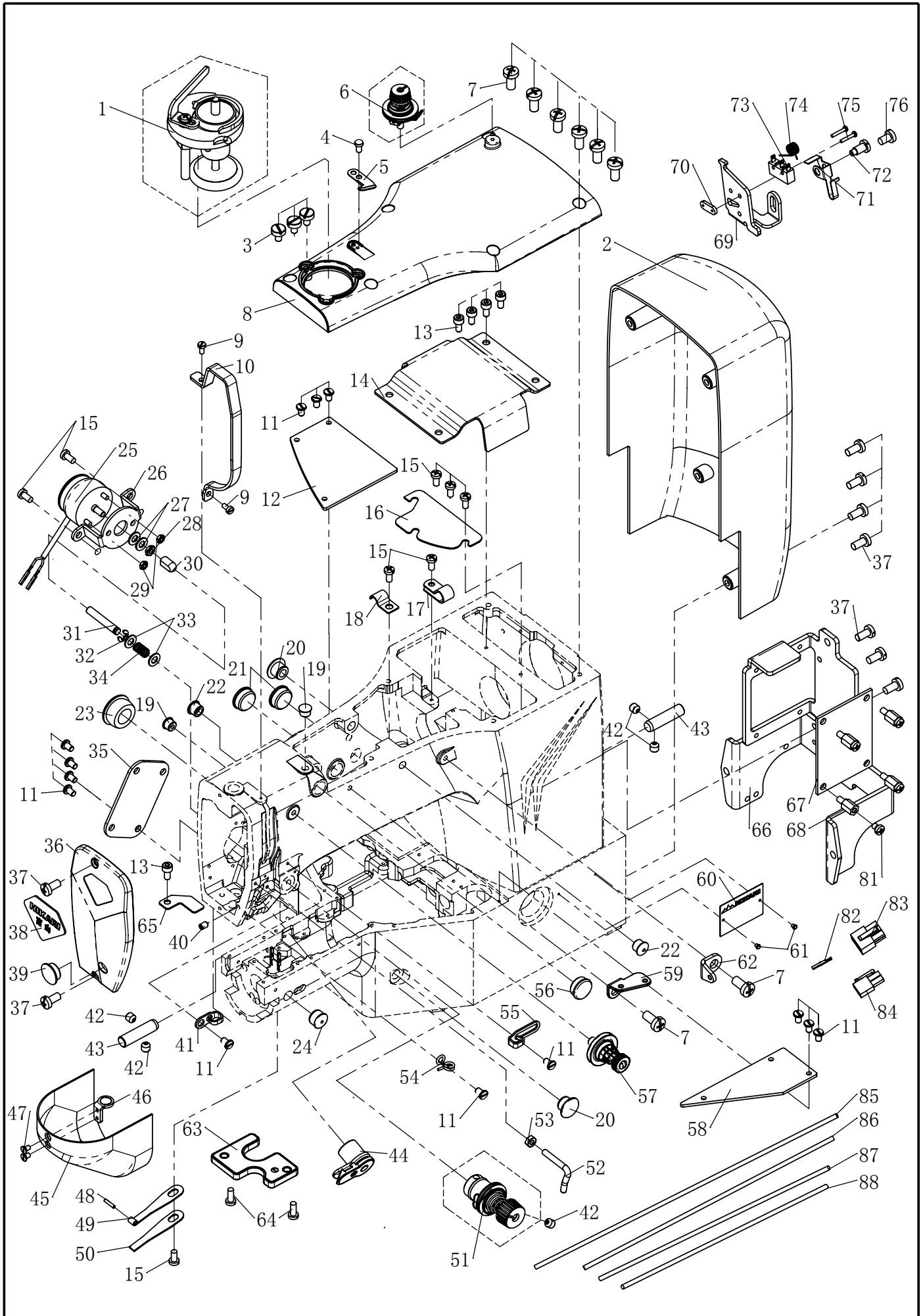
V1.00

目 录

CONTENTS

1. 机壳部件.....	1
FRAME ASSEMBLY	
2. 上轴部件.....	5
CRANKSHAFT MECHANISM	
3. 拾压脚部件.....	9
PRESSER FOOT MECHNISM	
4. 下轴部件.....	11
CRANKSHAFT MECHANISM	
5. 剪线部件.....	13
THREAD TRIMMER MECHANISM COMPONENTS	
6. 送料部件.....	15
FEED MECHANISM COMPONENTS	
7. 附件.....	17
ACCESSORIE PART COMPONENTS	
8. HK2903 专用件.....	19
EXCLUSIVE PARTS FOR HK2903	
9. HK2903 专用附件.....	23
EXCLUSIVE ACCESSORIE PARTS FOR HK2903	

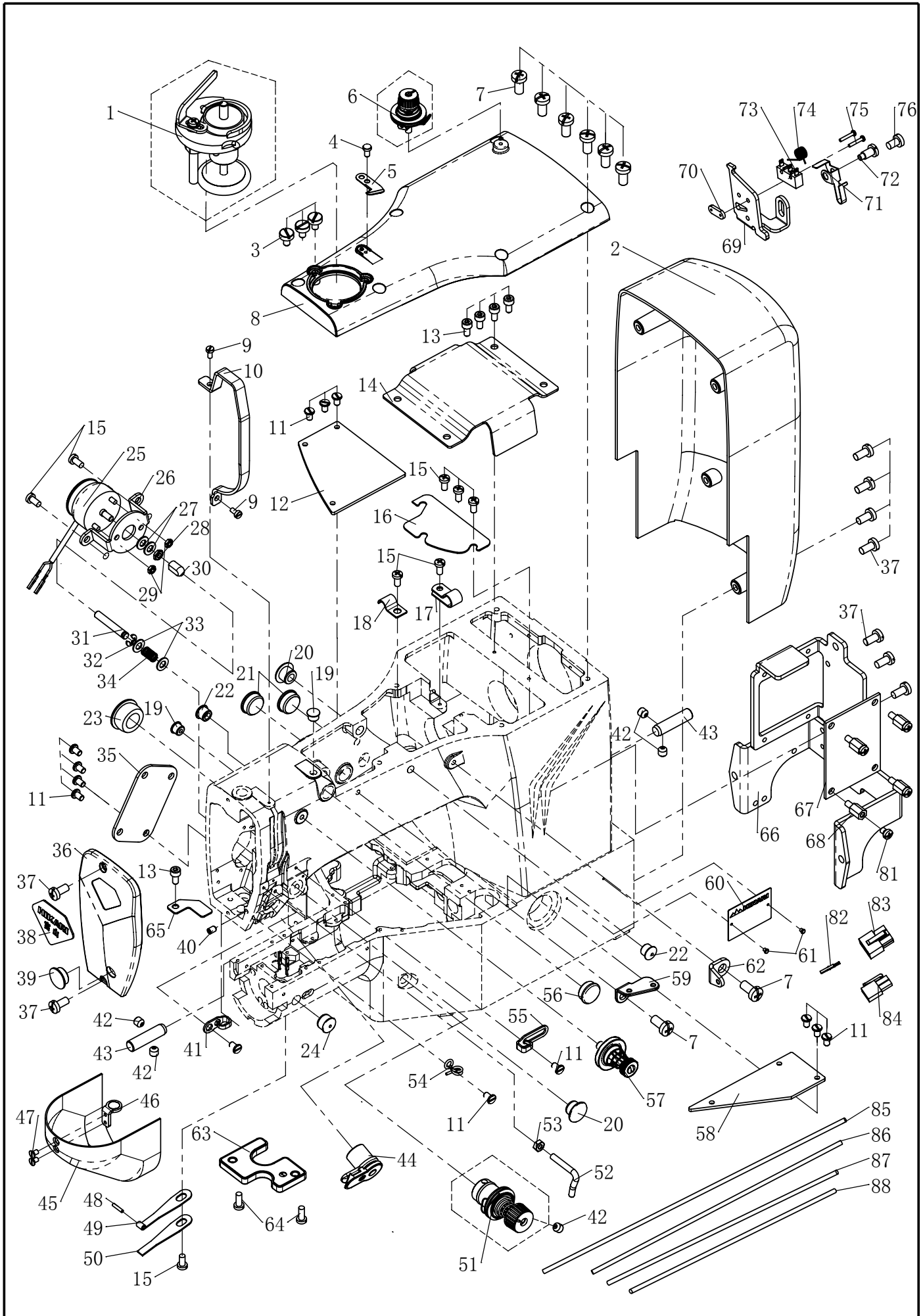
01. 机壳部件 FRAME ASSEMBLY



01. 机壳部件 FRAME ASSEMBLY

序号	图 号	名 称	NAME OF PARTS	数量
1	411.01-18-00	绕线器组件	BOBBIN WINDER UNIT	1
2	411.01-06	后罩壳	MOTOR COVER	1
3	02-612320721-1	开槽圆柱头螺钉	SCREW	3
4	02-509400721-1	螺钉SM9 / 64"×40-7	SCREW	1
5	102.09-34	切刀	KNIFE	1
6	102.09-36	夹线器组件	BOOBIN THREAD TENSION ASM.	1
7	01-406001223-1	十字一字槽螺钉 M6×12	SCREW M6 L=12	8
8	411.01-02	上盖	UPSIDE COVER	1
9	01-403000623-1	开槽圆柱头螺钉M3×6	SCREW	2
10	421.12-25	挑线杆护罩	BALANCE COVER	1
11	01-604000621-1	开槽薄帽螺钉M4×6	SCREW	13
12	411.01-08	左盖板	BED COVER LEFT	1
13	01-504000824-1	内六角圆柱头螺钉M4×8	SCREW M4 L=8	5
14	411.01-05	大连杆罩	CRANK ROD COVER	1
15	01-404000823-1	十字一字槽螺钉 M4×8	SCREW M4 L=8	8
16	411.01-07	遮尘板	CRANK ROD UNDER COVER	1
17	331.18-22	气路管夹(中)	CLAMP	1
18	113.01-07	电线固定夹	CORD HOLDER	1
19	22-07405009	橡胶塞	PLUG	2
20	22-10507016	橡胶塞	PLUG	2
21	22-15505017	橡胶塞	PLUG	2
22	22-08506511	橡胶塞	PLUG	2
23	22-20809024	橡胶塞	PLUG	1
24	22-11505013	橡胶塞	PLUG	1
25	411.01-03	松线电磁铁	AT SOLENOID	1
26	411.01-04	松线电磁铁安装板	AT PLATE	1
27	411.01-17	防震垫圈	WASHER	2
28	03-604000220-1	六角螺母M4	NUT	1
29	03-603000240-3	六角螺母M3	NUT	2
30	411.01-19	松线电磁铁顶杆螺母	NUT	1
31	411.01-12	松线顶杆	TENSION RELEASING	1
32	06-0400809-1	E型挡圈4	E-RING 4	1
33	05-053101001-5	平垫圈	WASHER	2
34	411.01-13	复位簧	SPRING	1
35	411.01-09	松线电磁铁盖	COVER PLANK	1
36	411.01-10	面板	FACE COVER	1
37	01-404001023-1	十字一字槽螺钉 M4×10	SCREW M4 L=10	9
38	H0-001	钻石型号牌	MARK	1
39	22-12505016	橡胶塞	PLUG	1
40	01-804000614-1	内六角凹端螺钉 M4×6	SCREW M4 L=6	1
41	421.12-27	挑线上过线钩B	TAKE-UP THREAD GUIDE	1
42	01-806000614-1	内六角凹端螺钉 M6×6	SCREW M6 L=6	5
43	421.12-20-02	翻转轴	HINGE STUD	2
44	411.01-20-00	起针夹线器	THREAD TUN SIN ASM.	1
45	421.12-09-01-00	梭盖组件	CYLINDER ARM CAP	1
46	411.01-27	磁钢座组件	ALNICO SEATING ASM	1
47	01-103000421-1	一字沉头螺钉M3×4	SCREW M3 L=4	2
48	421.12-09-03	摆梭罩压簧支架销	HOOK COVER PRESSER SPRING PIN	1
49	421.12-09-04	摆梭罩压簧A	HOOK COVER PRESSER SPRING A	1
50	421.12-09-05	摆梭罩压簧B	HOOK COVER PRESSER SPRING B	1
51	113.09-03	夹线器组件	THREAD TUN SIN ASM.	1
52	421.12-29	缓线调节钩	L_SHAPED_THREAD_GUIDE_A	1
53	03-604000320-3	六角螺母 M4	NUT	1
54	411.01-26	挑线下过线钩	FRAME THREAD GUIDE	1

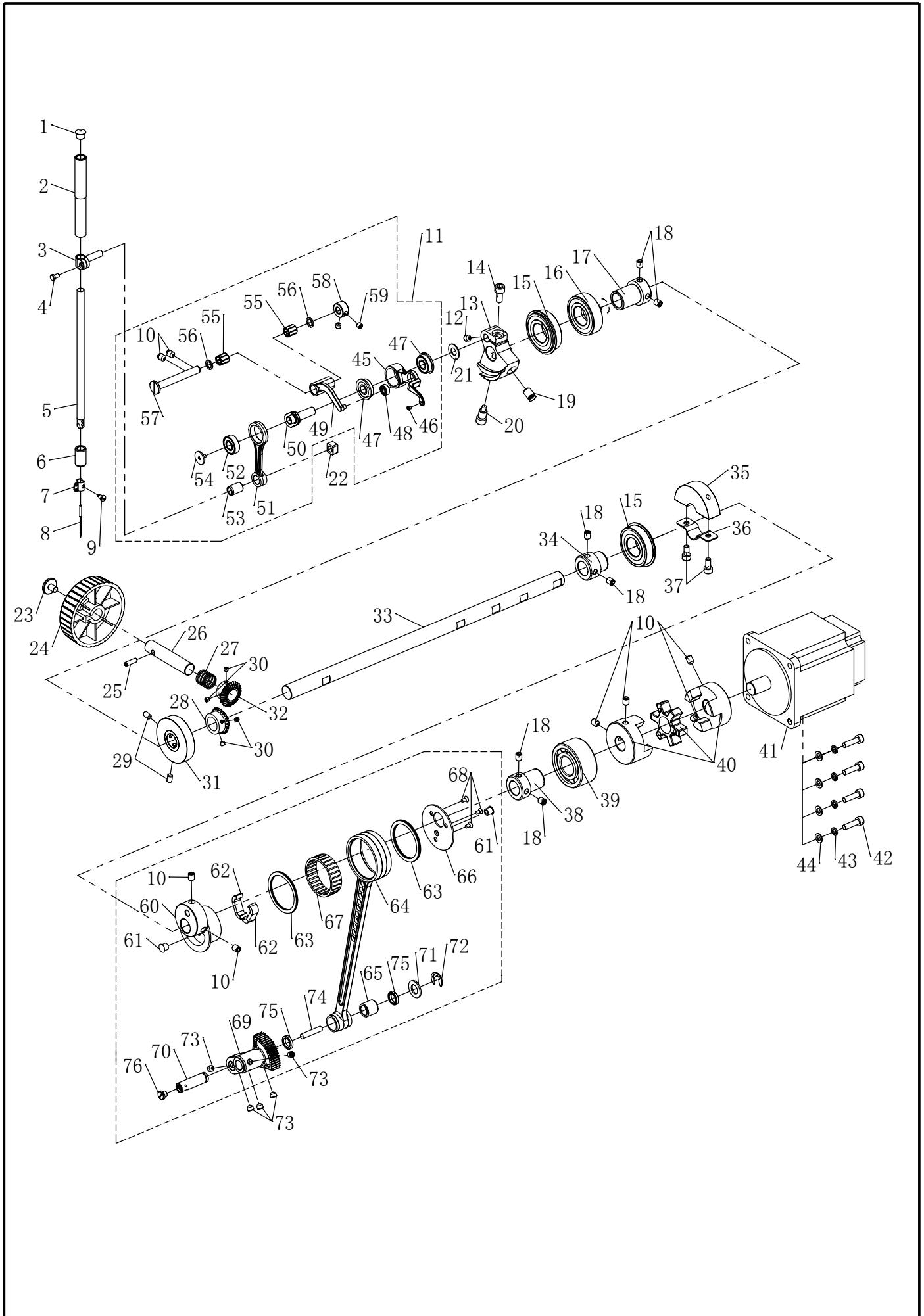
01. 机壳部件 FRAME ASSEMBLY



01. 机壳部件 FRAME ASSEMBLY

序号	图 号	名 称	NAME OF PARTS	数量
55	421.12-30	右线钩	ARM THREAD GUIDE	1
56	22-14505016	橡胶塞	PLUG	1
57	421.07-17-00	上夹线器组件	PRE-TENSION CONTROLLER ASM.	1
58	411.01-14	右盖板	BED COVER RIGHT	1
59	421.12-26	导线板	BTW BEARING SPACER	1
60	H0-004	型号牌	TYPE PLATE	1
61	17-3200500-5	铆钉 M2×5	RIVET	2
62	421.12-31	第一过线钩	THREAD_GUIDE_NO.1	1
63	411.01-22-00	钉扣机照明灯PCB板	LIGHTING ASM	1
64	01-404001023-3	十字一字盘头 M4×10	SCREW M4 L=10	2
65	411.01-11	护线板	PROTECT LINE PLANK	1
66	411.01-16	线路板支架	PROTECTION PLATE	1
67	411.05-17	机头信号转接板	MACHINE SIGNAL CONNECTING PLATE	1
68	421.12-19	M4螺柱	BOLT M4	4
69	421.12-08-01	安全开关安装板	SAFETY SWITCH BASE	1
70	421.12-08-05	安全开关固定板	SAFETY SWITCH NUT	1
71	421.12-08-02	安全开关板簧	SAFETY SWITCH ARM	1
72	421.12-08-03	安全开关板簧螺钉	SAFETY SWITCH SPRING SCREW	1
73	421.12-08-06	安全开关	SAFETY SWITCH	1
74	421.12-08-04	安全开关扭簧	SAFETY SWITCH SPRING	1
75	01-402001222-3	十字槽盘头螺钉 M2X12	SCREW M2×12	2
76	01-405000823-1	十字一字盘头螺钉 M5×8	SCREW M5×8	1
80	411.01-22-00	照明灯组件	LIGHT ASM	1
81	18-404000823-3	组合螺钉 M4×8	SCREW M4×8	4
82	411.05-20	端子	PORT	1
83	411.05-18	6P插头	6P PIN	1
84	411.05-19	2P插头	2P PIN	1
85	411.05-13	机头信号转接板连接电缆	MACHINE SIGNAL ELECTRICAL WIRE	1
86	411.05-15	LED照明灯连接线缆	LED LIGHT ELECTRICAL WIRE	1
87	411.05-14	电磁铁连接线缆	AT SOLENOID ELECTRICAL WIRE	1
88	411.05-12	接地端子连接电缆	EARTH LINE	1

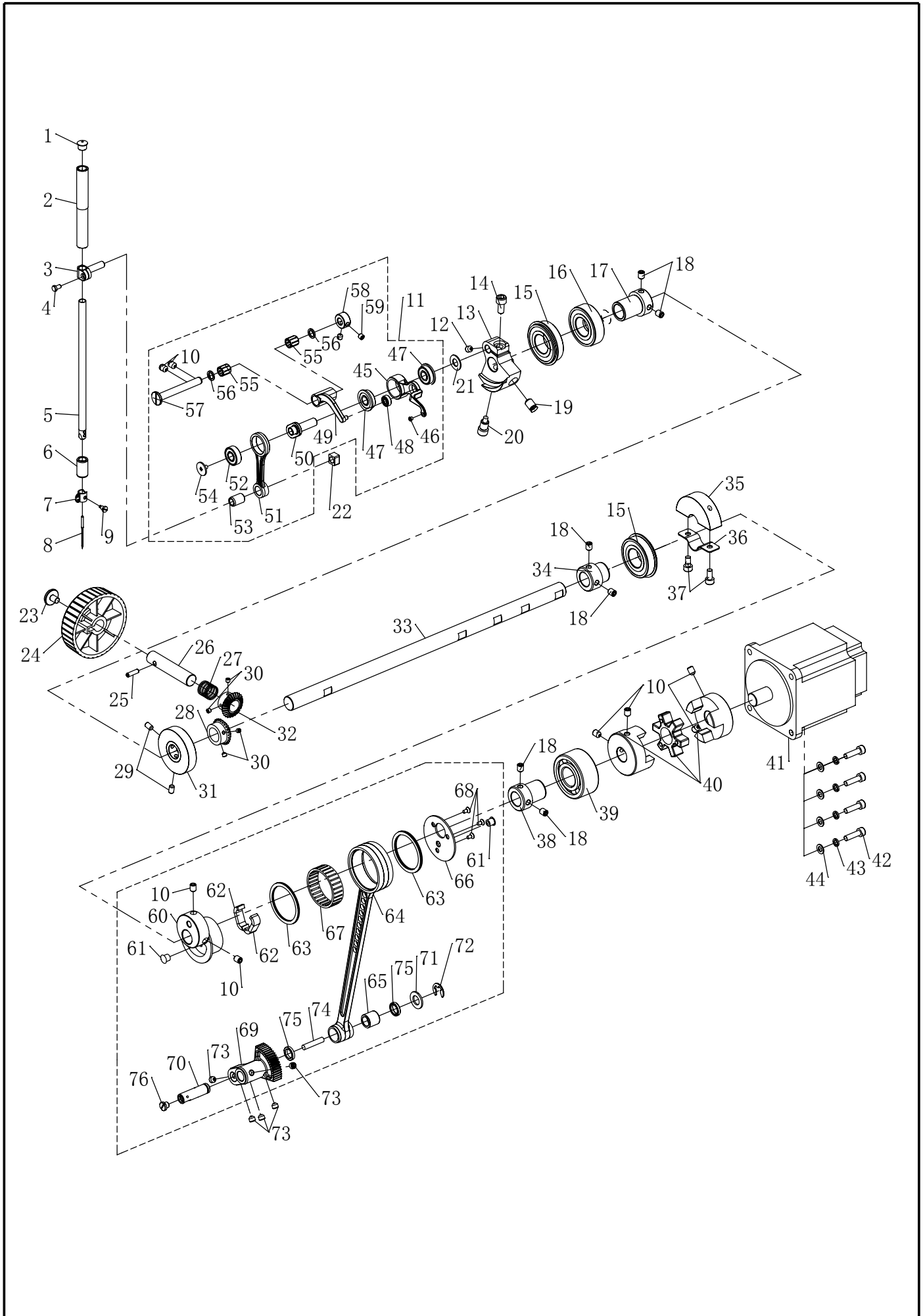
02. 上轴部件-1 CRANKSHAFT MECHANISM-1



02. 上轴部件-1 CRANKSHAFT MECHANISM-1

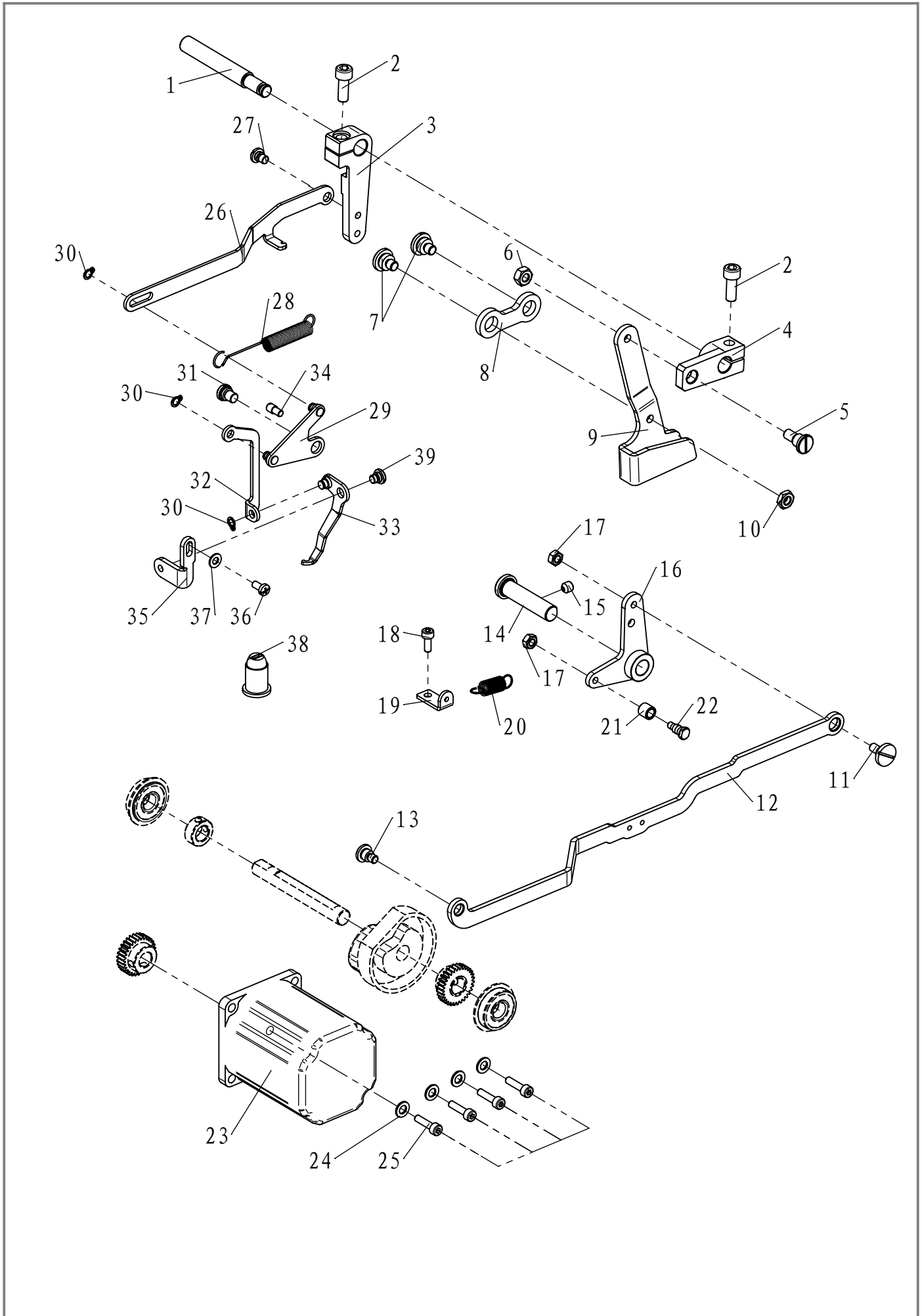
序号	图 号	名 称	NAME OF PARTS	数量
1	22-08506511	橡胶塞	PLUG	1
2	421.02-22	针杆上套	NEEDLE ROD METAL	1
3	421.02-18	针杆连接柱	NEEDLE BAR CLAMP	1
4	02-509400721-1	螺钉SM9 / 64"×40-7	SCREW	1
5	411.02-01	针杆	NEEDLE BAR	1
6	411.02-10	针杆下套	NEEDLE ROD LOWER METAL	1
7	411.02-02	针杆线钩	NEEDLE BAR THREAD GUIDE	1
8	101.12-11-20	机针	NEEDLE	1
9	01-503000421-1	螺钉M3×4	SCREW M3 L=4	1
10	01-806000814-1	内六角凹端螺钉 M6×8	SCREW M6 L=8	8
11	421.02-10-000	挑线组件	NEEDLE BAR CRANK ROD ASM	1
12	01-806750614-1	内六角螺钉M6×0.75×6	SCREW M6×0.75 L=6	1
13	421.02-09	针杆曲柄	COUNTER_WEIGHT	1
14	01-506001224-1	内六角圆柱头螺钉M6×12	SCREW M6 L=12	1
15	14-6004-2ZNR	带挡圈轴承	BEARING	1
16	14-6004-2Z	深沟球轴承(6004-2Z)	BEARING	1
17	411.02-06	上轴前轴套	BEARING_BUSH_B	1
18	01-806750814-1	内六角凹端紧定螺钉M6×0.75×8	SCREW M6×0.75 L=8	6
19	01-808001014-1	内六角凹端螺钉M8×10	SCREW M8 L=10	1
20	421.02-32	针杆曲柄定位螺钉	COUNTER WEIGHT SCREW	1
21	05-081101603-5	平垫圈	WASHER	1
22	421.02-19	针杆连接柱滑块	SLIDE BLOCK	1
23	01-606000821-1	手轮螺钉	SET-SCREW	1
24	421.08-01	手轮	PULLEY	1
25	15-1401405-1	弹性圆柱销4×14	SPRING PIN 4×14	1
26	411.02-04	手轮轴	HAND PULLEY SHAFT	1
27	421.08-03	手轮复位簧	SPRING	1
28	421.08-05-00	上轴手动离合齿轮	GEAR A	1
29	01-805000814-1	内六角平端紧定螺钉M5X8	SCREW M5 L=8	2
30	01-804000414-1	凹端紧定螺钉 M4×4	SCREW M4 L=4	4
31	421.13-02	绕线驱动轮	BTW_DRIVING_WHEEL	1
32	421.08-04-00	手轮轴齿轮	GEAR B	1
33	411.02-05	上轴	MAIN SHAFT	1
34	411.02-07	上轴中轴套	BEARING_BUSH	1
35	421.02-08	平衡块	AC SERVO MOTOR	1
36	421.02-07	平衡块安装架	CRANK_BALANCER_FIX_PLATE	1
37	01-505001024-1	内六角圆柱头螺钉M5×10	SCREW M5 L=10	2
38	411.02-08	上轴后轴套	BEARING_BUSH_B	1
39	14-3204-2Z	轴承3204-2Z	BEARING	1
40	421.02-05-00	联轴器	COUPLING	1
41	411.02-11	上轴电机	MOTOR	1
42	01-505001824-1	内六角圆柱头螺钉M5×18	SCREW M5 L=18	4
43	07-0521313-1	弹簧垫圈5	SPRING WASHER	4
44	05-056101000-4	平垫片	WASHER 5.6-10	4
45	421.02-10-01	挑线杆	THREAD TAKE UP LEVER	1
46	421.02-10-02	挑线杆过线套	THREAD PASS BUSH	1
47	14-619/8-2Z	轴承F698 ZZ	BEARING	2
48	14-619/4-2Z	轴承619-4	BEARING	1
49	421.02-11	挑线连杆	THREAD TAKE UP CRANK	1
50	421.02-15	挑线曲柄	NEEDLE ROD CRANK	1
51	421.02-17-01	针杆连杆	NEEDLE BAR CRANK ROD	1
52	14-619-8-2Z	轴承619-8-2Z	BEARING	1

02. 上轴部件-2 CRANKSHAFT MECHANISM-2



02. 上轴部件-2 CRANKSHAFT MECHANISM-2

序号	图 号	名 称	NAME OF PARTS	数量
53	421.02-17-02	针杆连杆轴套	NEEDLE BAR CRANK ROD METAL	1
54	421.02-16	挑线曲柄左旋螺钉	LEFT SCREW	1
55	14-K71010	滚针轴承K7X10X10	BEARING	2
56	421.02-14	挑线连杆垫圈	BEARING SUPPORT	2
57	421.02-12	挑线连杆销	THREAD TAKE UP CRANK SHAFT	1
58	421.02-13	挑线连杆销挡圈	THRUST COLLAR	1
59	01-805000514-1	内六角凹端螺钉M5×5	SCREW M5 L=5	2
60	421.02-25	送料凸轮	ECCENTRIC	1
61	22-06406009	油塞 φ6.7	PLUG D=6.7	2
62	421.02-27	送料凸轮油毡	UNDER CAM FELT	2
63	421.02-29	送料连杆轴承垫圈	WASHER	4
64	421.02-28-01	送料连杆	LINK	1
65	421.02-28-02	送料连杆销衬套	BUSHING	1
66	421.02-26	送料凸轮盖板	CRANK ROD SUPPORT PLATE	1
67	14-K384313	送料连杆滚针轴承	BEARING	1
68	01-103000621-1	十字沉头螺钉M3×6	SCREW M3 L=6	3
69	421.02-30	摆动齿轮	OSCILLATOR	1
70	421.02-31	送料连杆销	PIN	1
71	421.02-33	送料连杆销垫圈	WASHER	1
72	06-0801016-1	E型挡圈8	E-RING	1
73	01-806750514-1	内六角凹端紧定螺钉M6×0.75×5	SCREW M6×0.75 L=5	5
74	421.03-19	跳压脚轴油芯	OIL WICK	1
75	13-08240150	骨架油封	OIL SEAL	2
76	421.02-35	送料连杆销端面螺钉	SCREW M6 L=5	1

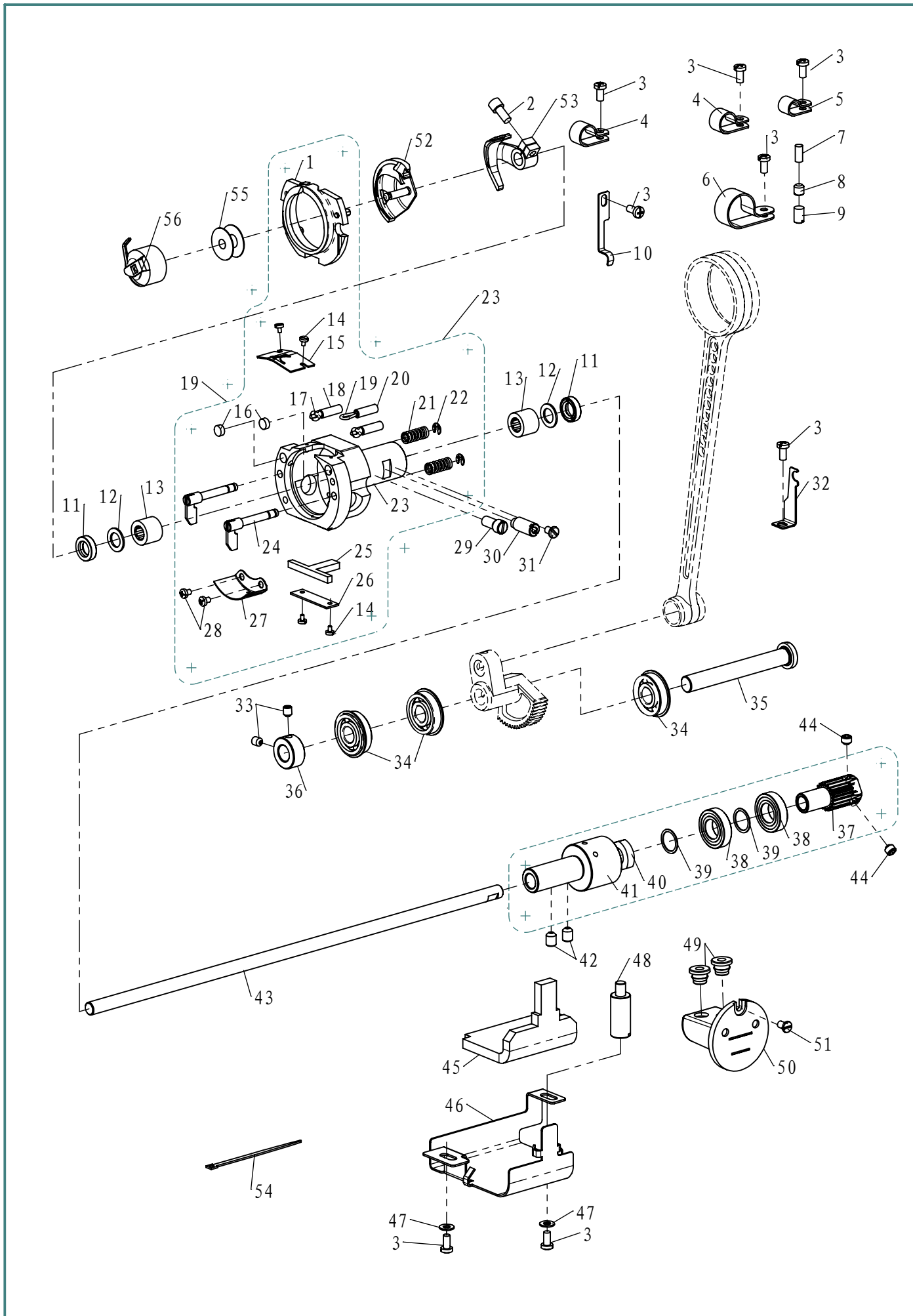


03. 抬压脚部件

PRESSER FOOT MECHNISM

序号	图号	名称	NAME OF PARTS	数量
1	411.03-04	抬压脚摆动臂销	CONNECTING SHAFT	1
2	01-506001824-1	内六角螺钉M6×18	SCREW M6 L=18	2
3	411.03-05	抬压脚摆动臂A	CONNECTING ARM	1
4	411.03-09	抬压脚摆动臂B	LOWERING ARM	1
5	411.03-10	抬压脚摆动臂轴位螺钉	HINGE SCREW D=8 H=6	1
6	03-606000520-1	六角螺母M6	NUT M6	1
7	411.03-06	抬压脚压杆轴位螺钉	HINGE SCREW D=10 H=4	2
8	411.03-07	抬压脚连杆	CONNECTING LINK	1
9	411.03-08	抬压脚压杆	LOWERING FOOT	1
10	03-606000350-1	六角螺母M6	NUT M6	1
11	421.04-11	连杆调整轴位螺钉	HINGE SCREW D=8 H=3.3	1
12	411.03-02	抬压脚拉杆	LIFTER LINK B	1
13	411.03-03	抬压脚拉杆轴位螺钉	HINGE SCREW D=7 H=4	1
14	411.03-17	抬压脚轴	THREAD TRIMMER SHAFT	1
15	01-806000614-1	内六角凹端螺钉 M6×6	SCREW M6 L=6	1
16	411.03-16	抬压脚连杆	LIFTER LINK A ASM	1
17	03-605000400-1	六角螺母M5	NUT M5	2
18	01-504001024-1	内六角圆柱头螺钉M4×10	SCREW M4 L=10	1
19	411.03-13	抬压脚弹簧拉板	SPRING RACK	1
20	421.04-10	压脚调整拉杆弹簧	SPRING	1
21	411.03-15	抬压脚凸轮销滚柱	NEEDLE CAM ROLLER A	1
22	411.03-14	抬压脚凸轮销螺钉	CAM ROLLER SHAFT	1
23	411.03-19	剪线抬压脚伺服电机	FEED MOTOR	1
24	05-056101000-4	平垫片	WASHER 5.6-10	4
25	01-504001624-1	内六角螺钉M4×16	SCREW M4 L=16	4
26	411.03-23	拨线连杆	WIPER CONNECTING LINK	1
27	411.03-27	轴位螺钉2	HINGE SCREW	1
28	411.03-29	弹簧	SPRING	1
29	411.03-21	拨线连杆	WIPER CONNECTING LINK	1
30	10-0470610-1	轴用挡圈	RETAINING RING 4.7	3
31	411.03-25	轴位螺钉	HINGE SCREW	1
32	411.03-30	拨线连接板	WIPER_CONNECTING_PLATE	1
33	411.03-20	拨线勾	WIPER C ASM	1
34	411.03-24	限位螺钉销	PIN	1
35	411.03-22	拨线板	WIPER BASE PLATE	1
36	01-404000823-1	十字一字槽螺钉 M4×8	SCREW M4 L=8	1
37	05-045080900-1	垫片	WASHER 4.8×8.4×0.8	1
38	411.03-28	橡胶套	RUBBER COVER	1
39	411.03-26	轴位螺钉1	HINGE SCREW	1

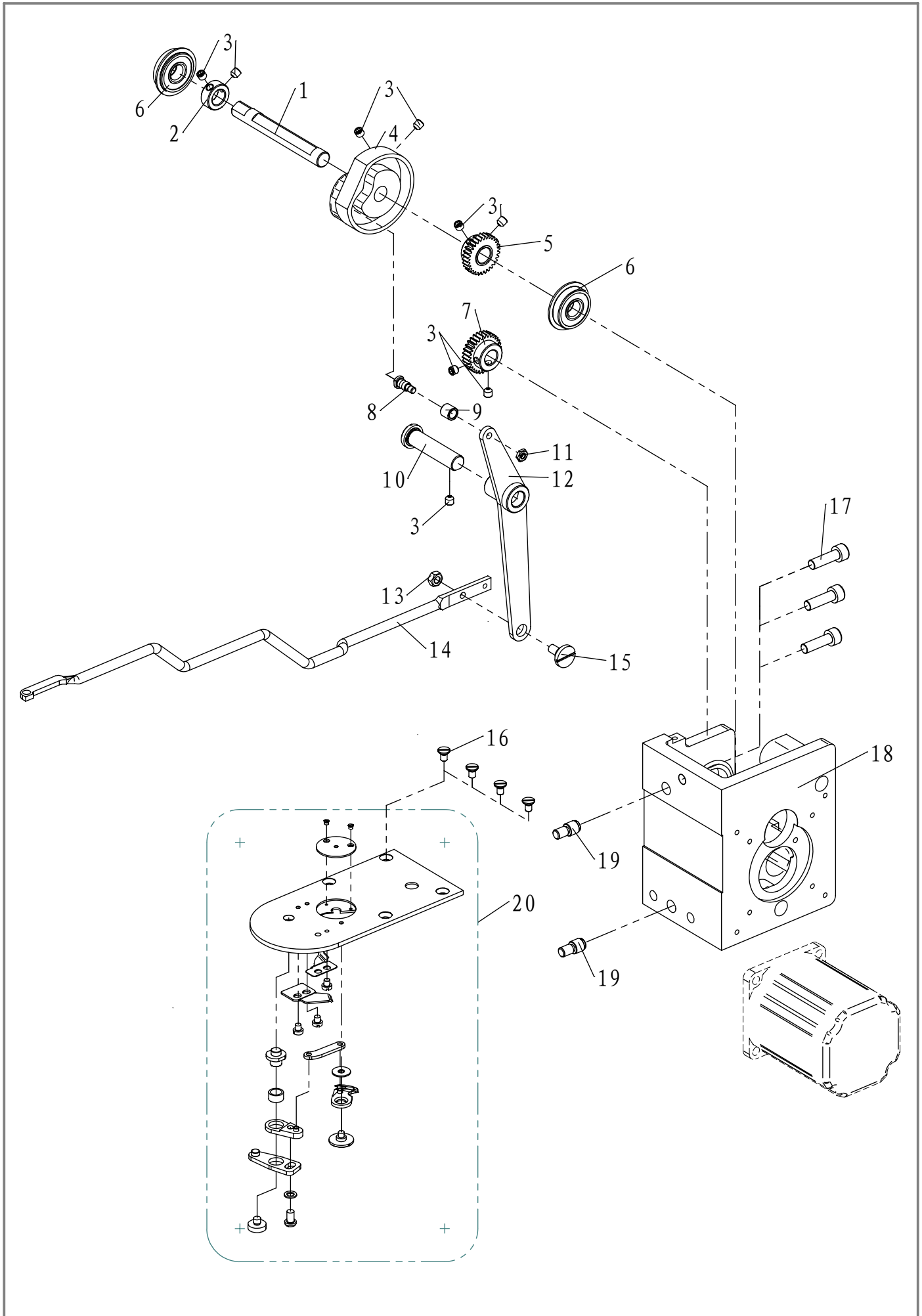
04. 下轴部件 CRANKSHAFT MECHANISM



04. 下轴部件 CRANKSHAFT MECHANISM

序号	图 号	名 称	NAME OF PARTS	数量
1	421.05-05-10	摆梭盖组件	INNER HOOK PRESSER ASM	1
2	02-512281024-1	内六角圆柱头螺钉SM3/16×28-10	SCREW	1
3	01-404000823-1	十字一字槽螺钉 M4×8	SCREW M4 L=8	8
4	331.18-22	线夹(中)	CLAMP	2
5	381.03-11	线夹(小)	CLAMP	1
6	411.04-11	线夹(大)	CLAMP	1
7	411.04-01	油芯顶杆	OIL WICK PRESSER	1
8	01-806000621-1	开槽平端紧定螺钉M6×6	SCREW	1
9	01-806001041-1	开槽尖端螺钉M6×10	SCREW	1
10	411.04-02	油路管夹	OIL-PIPE-HOLDER	1
11	13-08240150	骨架油封	SHUTTLE OIL SEAL	2
12	05-095101483-5	摆梭轴垫片	SHUTTLE BEARING RING	2
13	14-K81210	无内圈单列滚针轴承K8×12×10	BEATING	2
14	01-602000421-1	开槽大帽圆柱头螺钉M2 L=3.5	SCREW M2 L=3.5	4
15	411.04-04	梭子上弹簧片	INNER HOOK UPPER SPRING	1
16	421.05-05-05	摆梭润滑盖	SHUTTLE OIL FELT	2
17	411.04-03-01	油线	OIL WICK	2
18	411.04-03-02	油管	TUBE	2
19	411.04-03-03	油线	OIL WICK	1
20	411.04-03-04	油管	TUBE	1
21	421.05-05-13	摆梭压紧弹簧	INNER HOOK PRESSER SPRING	2
22	06-0300607-1	E型挡圈3	E-RING	2
23	421.05-05-00	摆梭座	SHUTTLE	1
24	421.05-05-12-00	摆梭压紧杆组件	INNER_HOOK_PRESSER_ASM	2
25	421.05-05-07	油毡	SHUTTLE ONCE THROUGH OIL FELT	1
26	421.05-05-06	油毡夹	ONCE THROUGH OIL GELT PRESSER	1
27	421.05-05-04	摆梭润滑盘	SHUTTLE LUBRICATING PLATE	1
28	01-403000423-1	十字盘头螺钉M3x4	SCREW M3 L=4	2
29	421.05-05-14	摆梭锁紧螺钉	SHUTTLE-ASM-SCREW	1
30	421.05-05-11	偏心销轴	SHURRLE-RACE-ADJUSTING-SHAFT	1
31	01-604000621-1	一字薄帽圆柱头螺钉M4×6	SCREW	1
32	411.04-06	油管固定架	TUBE-CLAMP	1
33	01-805000614-1	内六角凹端螺钉M5×6	SCREW M5 L=6	2
34	14-6000-2LSNR	带挡圈轴承6000-2LSNR	BEARING	3
35	411.04-05	摆动齿轮轴	OSCILLATOR SHAFT	1
36	421.04-08	挡圈10	THRUST-COLLAR	1
37	421.05-04-01	下轴齿轮	SHAFT	1
38	14-61901-2Z	轴承 14-61901-2Z	BEARING	2
39	421.05-04-02	下轴齿轮环	RING	2
40	421.05-04-03	下轴齿轮螺母	NUT	1
41	421.05-04-04	下轴齿轮座	LOWER-SHAFT-HOLDER	1
42	01-806000814-1	内六角凹端螺钉 M6×8	SCREW M6 L=8	2
43	411.04-07	下轴	LOWER SHAFT	1
44	01-806000514-1	内六角凹端螺钉 M6×5	SCREW M6 L=5	2
45	411.04-09	下轴齿轮盖毛毡	LOWER-SHAFT-GEAR-FELT	1
46	411.04-08	下轴齿轮盖	LOWER-SHAFT-GEAT-COVER	1
47	05-043080900-4	平垫圈	WASHER	2
48	411.04-10	齿轮盖连接柱	GEAR-COVER-PILLAR	1
49	421.12-10-02	油杯密封圈	RUBBER BUSH	2
50	421.12-10-01	油杯	OIL TANK ASM	1
51	01-604000621-1	开槽薄帽螺钉M4×6	SCREW	1
52	411.04-15	摆梭(小梭芯)	SHUTTLE	1
53	411.04-14	摆梭驱动(小牛角)	SHUTTLE-DRIVER	1
54	CB01-16-A00	电线扎紧带	CABLE BAND	1
55	411.04-12	小梭芯	BOBBIN	1
56	411.04-13	小梭壳	BOBBIN CASE ASM	1

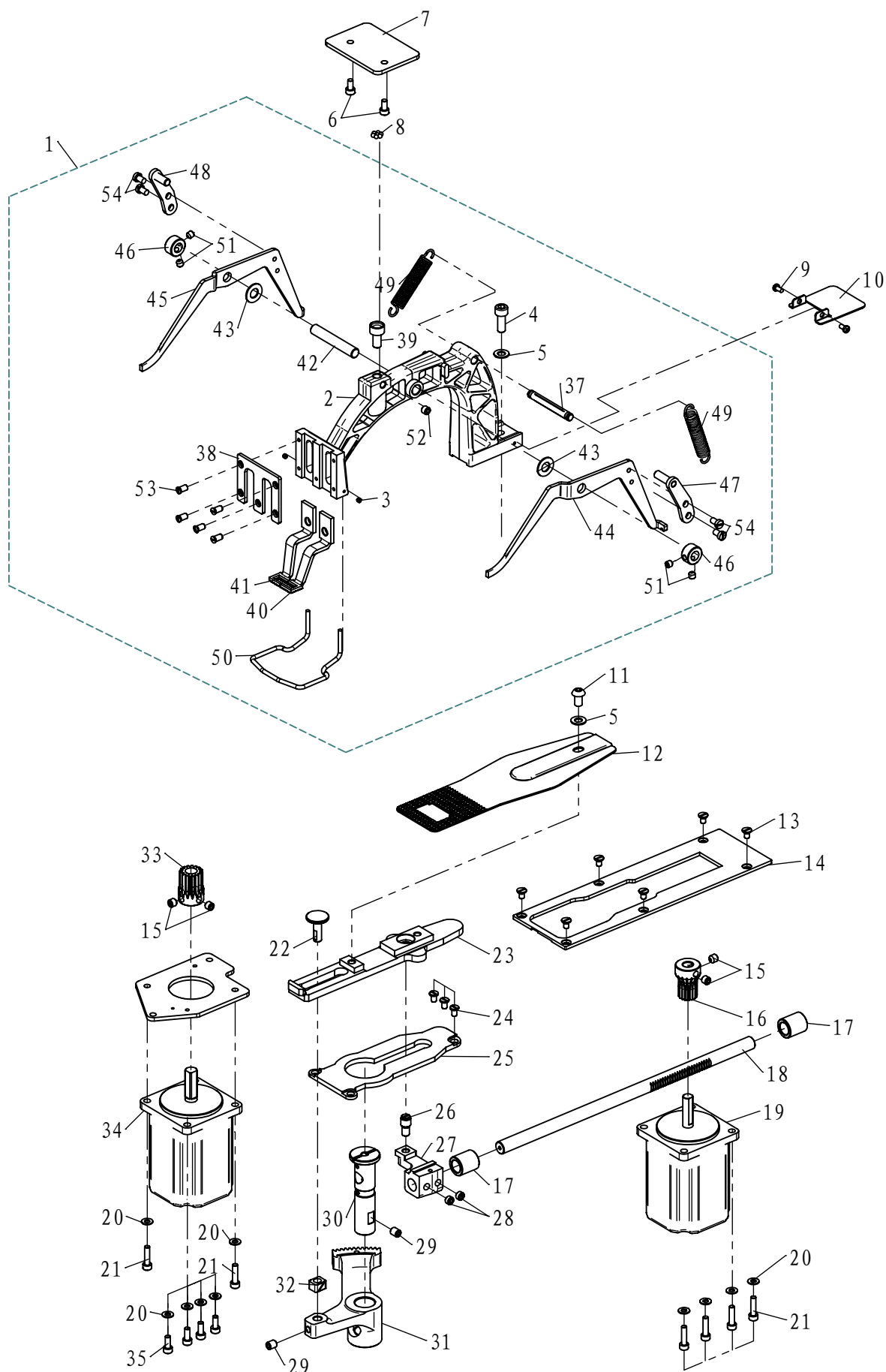
05. 剪线部件 THREAD TRIMMER MECHANISM COMPONENTS



05. 剪线部件 THREAD TRIMMER MECHANISM COMPONENTS

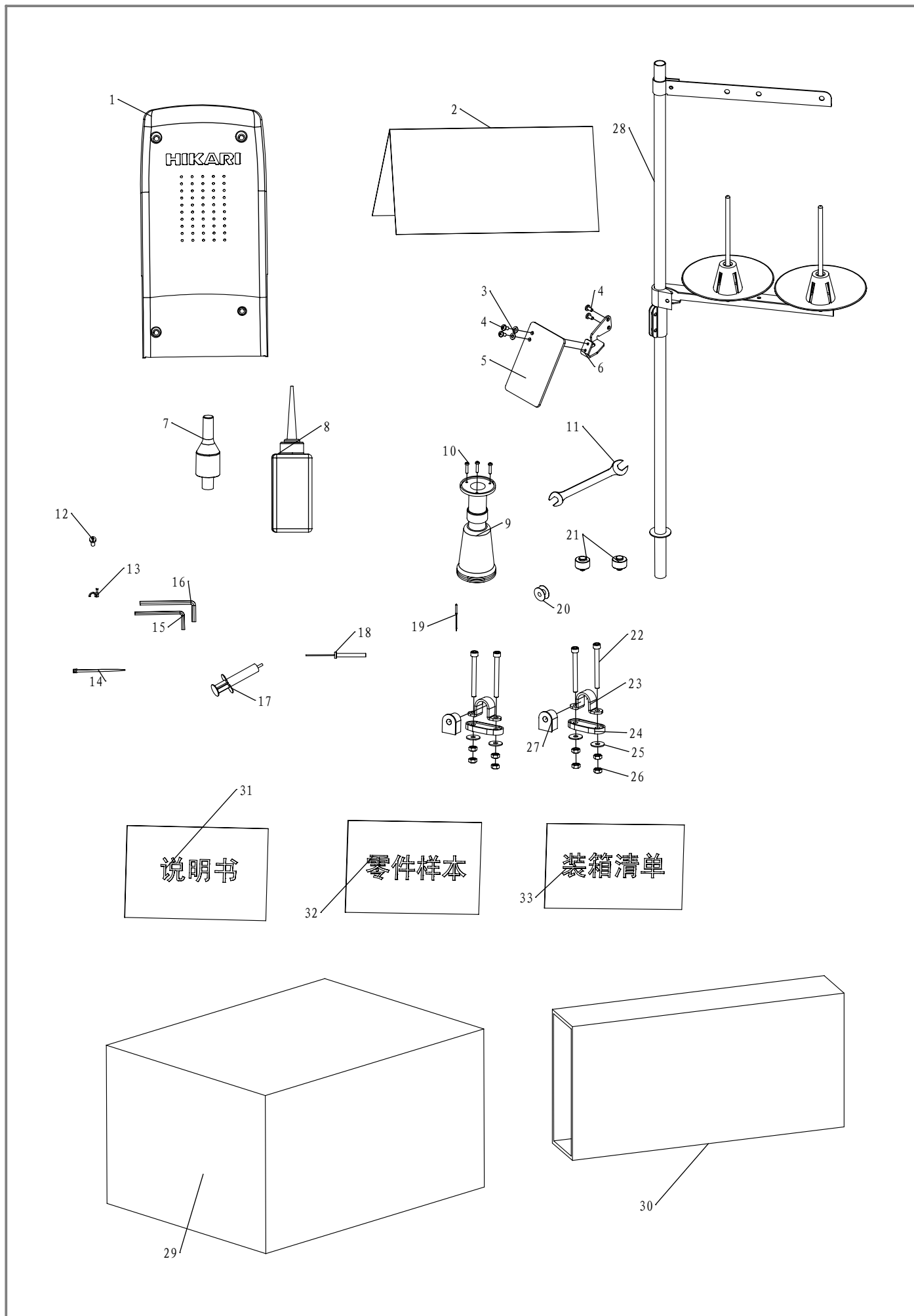
序号	图 号	名 称	NAME OF PARTS	数量
1	411.05-05	抬压脚剪线凸轮轴	CONNECTING SHAFT	1
2	411.05-11	挡圈	THRUST_COLLAR	1
3	01-805000514-1	内六角凹端紧定螺钉M5×5	SCREW	9
4	411.05-06	抬压脚剪线凸轮	THREAD TRIMMER CAM	1
5	411.05-08	抬压脚剪线从动齿轮	GEAR B	1
6	14-6000-2LSNR	带挡圈轴承	BEARING	2
7	411.05-07	抬压脚剪线主动齿轮	GEAR A	1
8	411.03-14	抬压脚凸轮销螺钉	CAM ROLLER SHAFT	1
9	411.03-15	抬压脚凸轮销滚柱	NEEDLE CAM ROLLER	1
10	411.03-17	抬压脚轴	THREAD TRIMMER SHAFT	1
11	03-604000220-1	六角螺母M4×2.2	NUT	1
12	411.05-09	剪线连杆	THREAD TRIMMER LINK ASM.	1
13	03-605000400-1	六角螺母M5	NUT	1
14	411.05-01	剪线拉杆	CONNECTING BAR	1
15	421.06-14	切线连杆轴位螺钉	HINGE SCREW D=8 H=3.3	1
16	01-104000721-1	开槽沉头螺钉M4	SCREW	4
17	01-506002024-1	内六角圆柱头M6×20	SCREW	3
18	411.05-10	抬压脚剪线电机座	SOLENOID BASE	1
19	411.06-07-04	送料轴连杆螺钉	SCREW	2
20	411.05-02-00	针板剪刀组件	MOVING KNIFE WASHER	1

06. 送料部件 FEED MECHANISM COMPONENTS



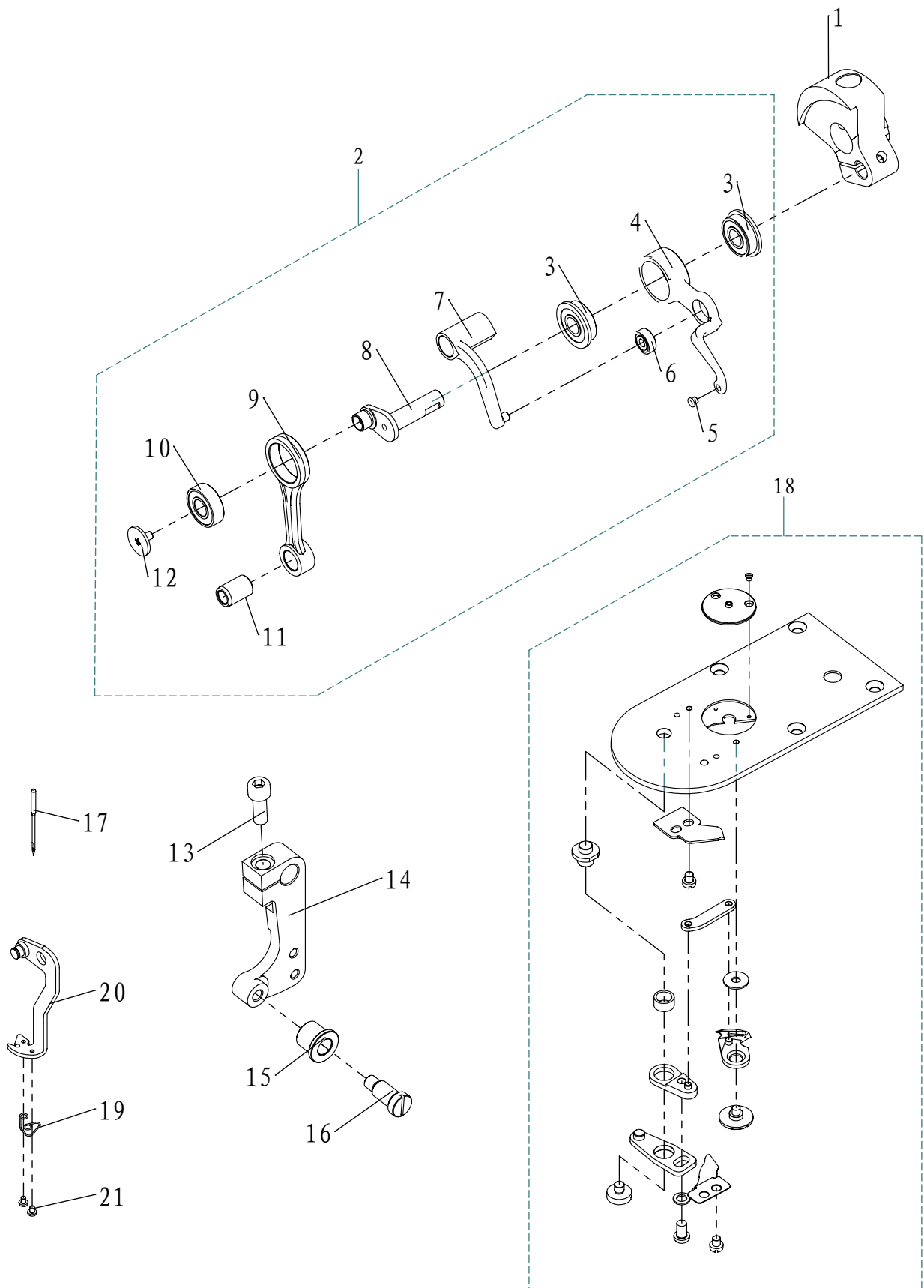
06. 送料部件 FEED MECHANISM COMPONENTS

序号	图号	名称	NAME OF PARTS	数量
1	411.06-01-00	送料托架组件	FEED BRACKET B	1
2	411.06-01-07	送料托架	FEED DRIVING ARN SHAFT	1
3	02-808440311-1	内六角平端紧定螺钉SM1/8" × 44-3	SCREW SM1/8" × 44 L=3	2
4	01-506001824-1	内六角螺钉M6 × 18	SCREW M6 L=18	1
5	05-063101201-1	平垫片	WASHER	2
6	01-504000824-1	内六角圆柱头螺钉M4 × 8	SCREW M4 L=8	2
7	411.06-02	送料架支撑板	SUPPORT PLATE	1
8	260.29-01-04	滚珠	WORK CLAMP FOOT MOUNTING BASE	7
9	01-403000623-1	十字一字槽螺钉M3 × 6	SCREW M3 L=6	2
10	411.06-04	遮尘盖	HIDDEN_PLATE	1
11	01-306001024-1	内六角圆头螺钉M6 × 10	SCREW M6 L=10	1
12	411.06-05	Y轴运动上盖	Y FEED PLATE	1
13	01-104000721-1	开槽沉头螺钉M4 × 7	SCREW M4 L=7	6
14	411.06-06	盖板	CLOTH FEED PRESSER PLATE	1
15	01-806000614-1	内六角凹端螺钉 M6 × 6	SCREW M6 L=6	4
16	411.06-19	Y向驱动齿轮	Y FEED GEAR	1
17	411.06-10	轴套	BUSHING REAR	2
18	411.06-11	Y向驱动齿轮轴	X FEED SHAFT	1
19	411.06-20	Y向伺服电机	FEED MOTOR	1
20	05-043080900-4	平垫圈	WASHER	10
21	01-504001624-1	内六角螺钉M4 × 16	SCREW M4 L=16	6
22	411.06-07-02	滑块销	SLIDE BLOCK STUD	1
23	411.06-07-00	X方向摆动架组件	CLOTH FEED PLATE	1
24	01-604000621-1	开槽薄帽螺钉M4 × 6	SCREW	3
25	411.06-07-03	X方向摆动架托板	CLOTH FEED SUPPORT PLATE	1
26	411.06-07-04	送料轴连杆螺钉	HINGE STUD	1
27	411.06-13	Y送料轴连杆	Y FEED ARM	1
28	02-816400514-1	内六角凹端紧定螺钉SM1/4" × 40 × 5	SM1/4" × 40 L=5	2
29	01-806000814-1	内六角凹端螺钉 M6 × 8	SCREW M6 L=8	2
30	411.06-14	摆动架销	FEED DRIVING ARM SHAFT	1
31	411.06-15	X向扇形齿轮	X SECTOR GEAR	1
32	411.06-07-06	滑块	SQUARE BLOCK	1
33	411.06-17	X向驱动齿轮	X FEED GEAR	1
34	411.06-21	X向伺服电机	FEED MOTOR	1
35	01-504001024-1	内六角圆柱头螺钉M4 × 10	SCREW M4 L=10	4
36	411.06-18-02	X向电机固定板2	X_FEED_MOTOR_BASE	1
37	411.06-01-12	弹簧支撑销	SPING SUSPENSION	1
38	411.06-01-08	压脚盖板	WORK CLAMP FOOT FACE PLATE	1
39	411.06-01-05	钢珠碗	BLL RETAINER	1
40	411.06-01-10	压脚(左)	WORK CLAMP FOOT, LEFT	1
41	411.06-01-09	压脚(右)	WORK CLAMP FOOT, RIGHT	1
42	411.06-01-06	提升杆轴	LIFTING LEVER SHAFT	1
43	05-84151503-5	平垫圈8.1, 1, 16	WASHER	2
44	411.06-01-14	提升杆(右)	LIFTING LEVER RIGHT	1
45	411.06-01-03	提升杆(左)	LIFTING LEVER LEFT	1
46	411.06-01-02	挡圈	THRUST_COLLAR	2
47	411.06-01-13-00	提升杆顶板组件(右)	LIFTING LEVER_PLATE_ASM (R)	1
48	411.06-01-01-00	提升杆顶板组件(左)	LIFTING LEVER_PLATE_ASM (L)	1
49	411.06-01-04	提升杆拉簧	CLOTH PRESSER SPRING	2
50	411.06-01-11	护指架	FINGER GUARD	1
51	01-805000514-1	内六角凹端螺钉M5 × 5	SCREW M5 L=5	4
52	02-815280614-1	内六角凹端螺钉SM15/64" × 28-6	SM15/64" × 28 L=6	1
53	02-211400821-1	半沉头螺钉SM11/64" × 40-8	SCREW SM11/64" × 40 L=8	5
54	02-411400721-1	开槽圆柱头螺钉SM11/64" × 40-7	SCREW	4

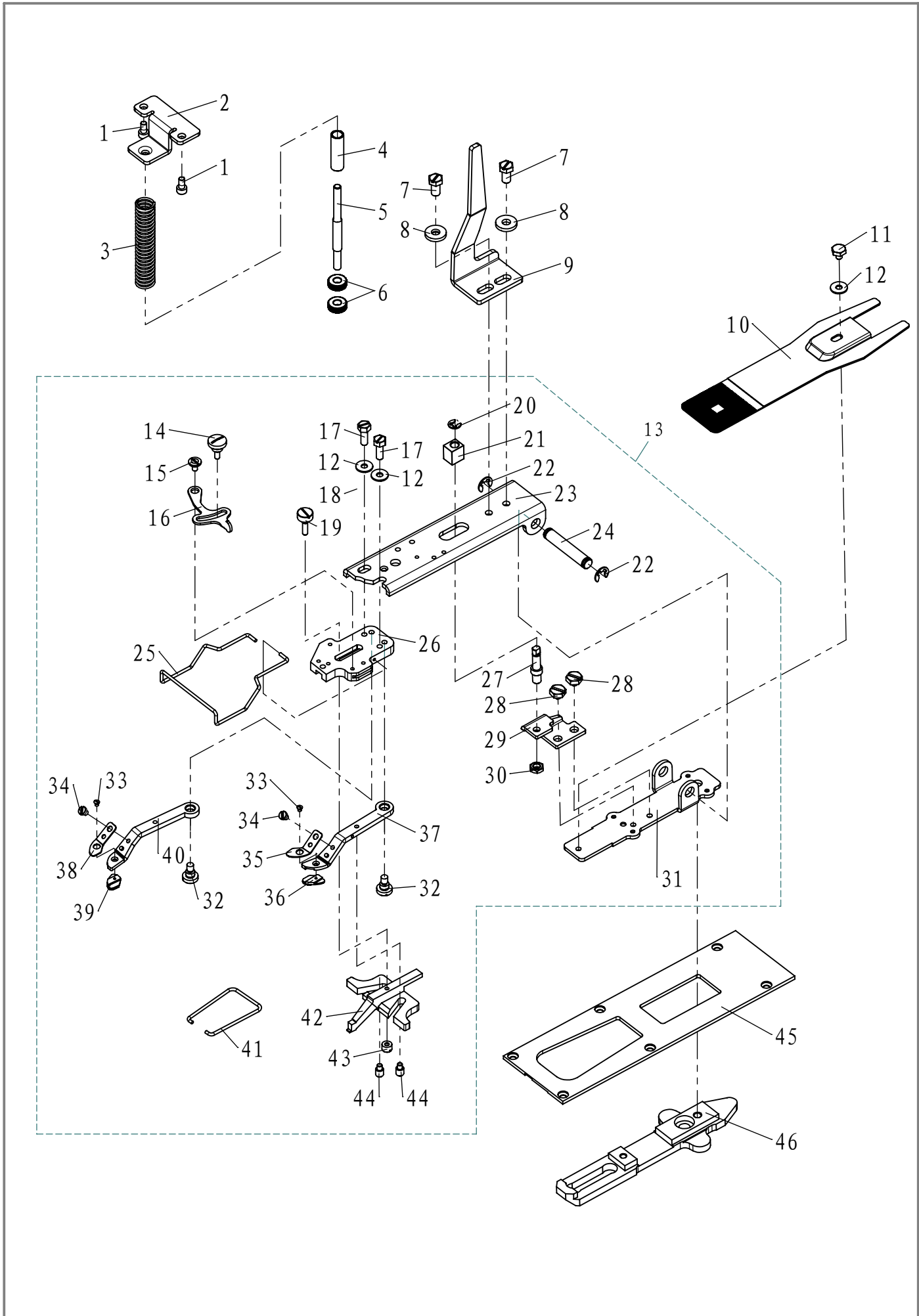


07 附件 ACCESSORIE PART COMPONENTS

序号	图号	名称	NAME OF PARTS	数量
1	411.01-06	后罩壳	MOTOR COVER	1
2	103.20-52	机头罩	DUST-PROOF CAP	1
3	05-043080900-1	平垫圈	WASHER	2
4	01-404000823-1	十字一字槽盘头螺钉 M4X8	SCREW M4 L=8	4
5	421.12-21-01	安全板	SAFETY PLATE	1
6	421.12-21-02	安全板安装架	SAFETY PLATE BASE	1
7	411.07-03	机壳支撑杆	HEAD SUPPORT BAR	1
8	103.20-50	注油壶组件	OILER	1
9	421.17-07-00	回油壶组件	OIL CAN	1
10	20-4291632-3	自攻螺钉2.9×16	WOOD SCREW	3
11	103.20-04-01	外六角扳手(8-9)	WRENCH	1
12	01-405001023-1	十字一字槽螺钉 M5×10	SCREW M5 L=10	4
13	A-1100-QD007	塑料卡钉	PLASTIC BUTTON	5
14	CB01-16-A00	电线扎紧带	CABLE BAND	5
15	411.07-08	内六角扳手4	HEXAGONAL SPANNER S4	1
16	411.07-09	内六角扳手5	HEXAGONAL SPANNER S5	1
17	30016226	注射器	INJECTING SYRINGE	1
18	201.22-07-06-16	1.5mm带柄螺丝刀	HEXAGONAL SPANNER S1.5	1
19	419.01-04	机针	NEEDLE DP×17	5
20	411.04-12	小梭芯	BOBBIN	1
21	411.07-04	橡胶垫	FRAME SUPPORT RUBBER	2
22	01-506006024-1	内六角圆柱头螺钉 M6×60	SCREW M6 L=60	4
23	421.12-20-03	翻转脚夹紧圈	BED HINGE	2
24	411.07-05	翻转脚垫	BED HINGE RUBBER	2
25	05-064151902-5	平垫片	WASHER	4
26	03-606000500-1	六角螺母M6-5	NUT M6	8
27	421.12-20-01	翻转脚	HINGE RUBBER	2
28	101.12-01	过线架组件	THREAD STANDING	1
29	411.07-11-02	附件纸箱	ACCESSORIES BOX	1
30	411.07-11-03	附件箱挡板	BAFFLE OF ACCESSORIES BOX	1
31	411.07-12	说明书	INSTRYCTION MANUAL	1
32	411.07-13	零件样本	PARTS BOOK	1
33	411.07-14	装箱清单	ACCESSORIES LISTING	1



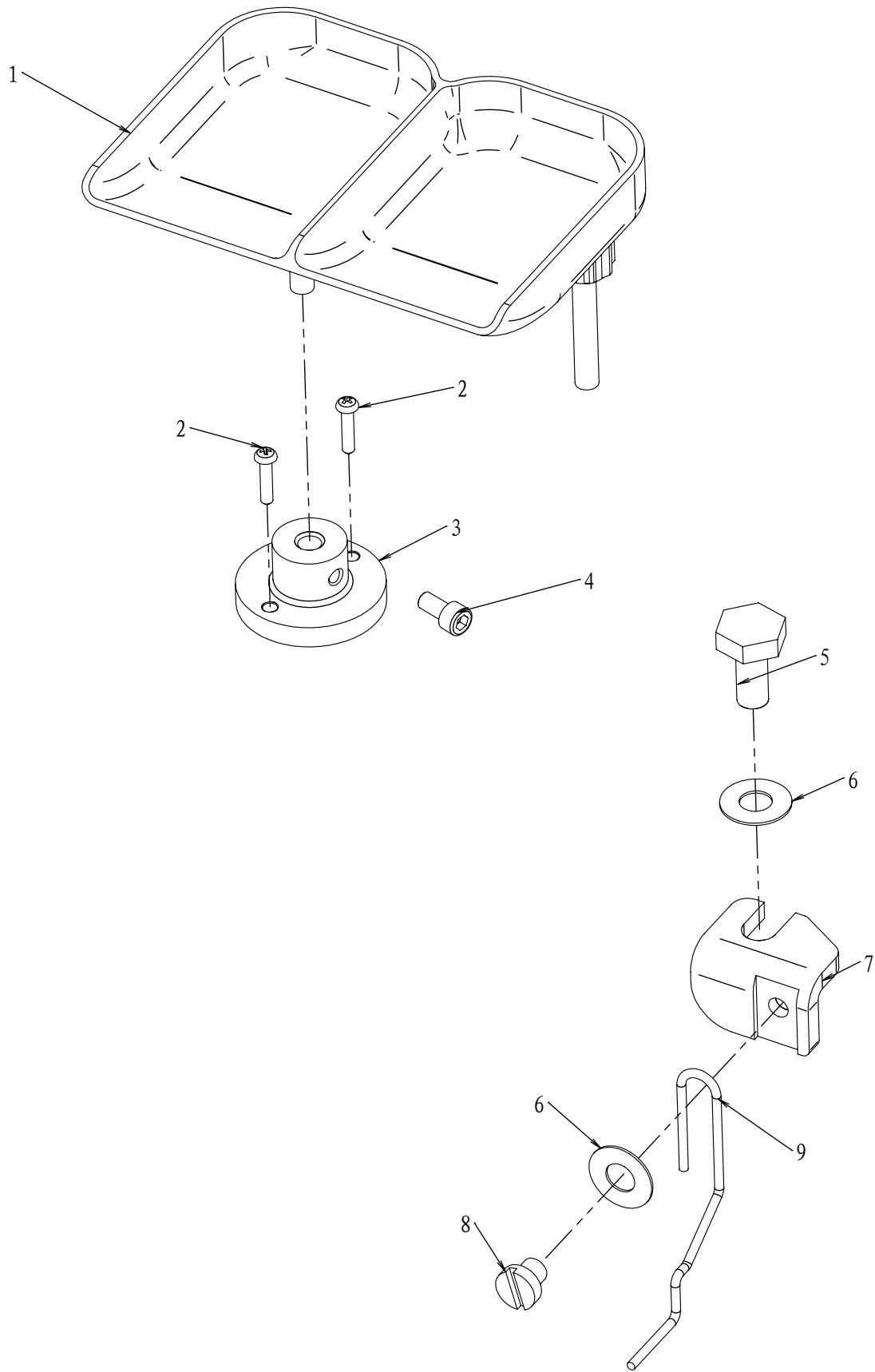
序号	图号	名称	NAME OF PARTS	数量
1	419.01-01	针杆曲柄	COUNTER_WEIGHT-B	1
2	419.01-02-00	挑线组件	NEEDLE BAR CRANK ROD ASM	1
3	14-619/8-2Z	轴承(单边凸缘) 698LB (挑线杆轴承)	BEARING	2
4	419.01-02-01	挑线杆	THREAD TAKE UP LEVER	1
5	421.02-10-02	挑线杆过线套	THREAD PASS BUSH	1
6	14-619/4-2Z	轴承619-4 (挑线连杆轴承)	BEARING	1
7	421.02-11	挑线连杆	THREAD TAKE UP CRANK	1
8	419.01-02-02	挑线曲柄	NEEDLE ROD CRANK B	1
9	421.02-17-01	针杆连杆	NEEDLE BAR CRANK ROD	1
10	14-619-8-2Z	轴承619-8-2Z (针杆连杆轴承)	BEARING	1
11	421.02-17-02	针杆连杆轴套	NEEDLE BAR CRANK ROD METAL	1
12	421.02-16	挑线曲柄左旋螺钉	LEFT SCREW	1
13	01-506001824-1	内六角圆柱头螺钉M6×18	SCREW M6 L=18	1
14	419.01-05	抬压脚摆动臂	CONNECTING ARM B	1
15	419.01-06	抬压脚连杆套	STOP MOTION TRIPPING LEVER CAM	1
16	419.01-07	抬压脚连杆套轴位螺钉	HINGE SCREW D=7.94 H=12.7	1
17	419.01-04	机针	NEEDLE	1
18	419.01-08-00	钉扣机针板剪刀组件	MOVING KNIFE WASHER	1
19	419.01-12	拨线勾	WIPER ASM	1
20	419.01-11	拨线簧	WIPER THREAD CATCH SPRING	1
21	02-506560321-1	紧定螺钉SM3/32"-56	SCREW SM1/8"-56 L=2.8	2



HK2903专用部件(2)

EXCLUSIVE PARTS FOR HK2903(2)

序号	图号	名称	NAME OF PARTS	数量
1	01-504000824-1	内六角圆柱头螺钉M4×8	SCREW M4 L=8	2
2	419.02-01	抬压脚上支撑架	ACCEPT PLATE, UPPER	1
3	419.02-02	调节杆弹簧	PRESSURE SPRING	1
4	419.02-03	调节杆套	SLEEVE	1
5	419.02-04	调节杆	ADJUSTING SHAFT	1
6	419.02-05	调节杆螺帽	THREAD TENSION NUT	2
7	02-715281121-1	螺钉SM15-64×28 L=11	SCREW 15/64-40 L=11	2
8	05-061251500-1	平垫圈6.1×15.0×2.5	WASHER 6.1×15.2×2.5	2
9	419.02-06	抬压脚连动板	MOVING PLATE	1
10	419.02-07	Y向运动压板	PRESSURE PLATE	1
11	02-711400525-1	螺钉11×64-40 L=5.3	SCREW 11×64-40 L=5.3	1
12	05-045101200-1	平垫圈5×10.5×1	WASHER 5×10.5×1	3
13	419.02-08	夹紧纽扣组件	VERY SMALL CLAMP MECHANISM ASM	1
14	419.02-08-01	纽扣大小调节螺钉	CLAMP SCREW A	1
15	419.02-08-02	锁紧螺钉	HINGE SCREW D=5.50 H=1.8	1
16	419.02-08-03	调节扳手	SNAP FASTENER CLAMP STOP LEVER	1
17	02-712321421-1	螺钉 3/16-32 L=13.5	SCREW 3/16-32 L=13.5	2
18	419.02-08-04	压脚锁紧板	PRESSER PLATE	1
19	419.02-08-05	调节螺丝	HINGE SCREW D=5.5 H=3	1
20	06-0400809-1	安装板导向轴挡圈	SNAP RING, FOR CONNECTING ROD	1
21	419.02-08-06	滑块	SLIDE BLOCK	1
22	06-0600812-1	安装轴挡圈	E-RING 7	2
23	419.02-08-07	夹头安装板	PICK-UP FOOT INSTALLING BASE	1
24	419.02-08-08	安装轴	INSTALLING SHAFT	1
25	419.02-08-09	护指器	FINGER GUARD	1
26	419.02-08-10	夹头底座	PICK-UP FOOT INSTALLING BASE	1
27	419.02-08-11	安装板导向轴	STATIONING BLOCK SHAFT	1
28	02-711400421-1	螺钉 11/64-40 L=4	SCREW 11/64-40 L=4	2
29	419.02-08-12	安装板导向支撑架	SUPPORT PLATE	1
30	04-615280300-1	螺帽 15/64-28	NUT 15/64-28	1
31	419.02-08-13	安装支架	PICK-UP INSTALLING BASE	1
32	419.02-08-14	连接轴位螺钉	HINGE SCREW D=6.35 H=3.9	2
33	02-106560321-1	压脚垫块螺钉 D=6.35 H=3.9	SCREW 3/32-56 L=3	2
34	02-509400421-1	开槽圆柱头螺钉SM9 / 64×40	SCREW 9 / 64-40 L=3.5	2
35	419.02-08-15	右弹簧垫片	SPRING, LEFT	1
36	419.02-08-16	右平板夹	PLATE L, L	1
37	419.02-08-17	右夹紧杆	SMALL CLAMP JAW LEVER, L	1
38	419.02-08-18	左弹簧垫片	SPRING RIGHT	1
39	419.02-08-19	左平板夹	PLATE L, R	1
40	419.02-08-20	左夹紧杆	SMALL CLAMP JAW LEVER ASM, L	1
41	419.02-08-21	纽扣夹紧弹簧	BUTTON CLAMP JAW LEVER SPRING	1
42	419.02-08-22	纽扣夹紧滑块	BUTTON CLAMP SLIDE	1
43	419.02-08-23	调节螺母	NUT	1
44	419.02-08-24	纽扣调节导向螺钉	BUTTON CLAMP STOP PIN	2
45	419.02-09	盖板	CLOTH FEED PRESSER PLATE B	1
46	419.02-10-00	摆动架组件	CLOTH FEED PLATE	1



序号	图号	名称	NAME OF PARTS	数量
1	419.03-03	纽扣托盘	BUTTON TRAY ASM	1
2	20-4421632-3	自攻螺钉	WOOD SCREW	2
3	419.03-04	纽扣托盘固定座	BUTTON TRAY BASE	1
4	01-506001224-1	内六角圆柱头螺钉M6×12	SCREW M6 L=12	1
5	02-709400825-1	螺钉SM9/64"-40 L=8	SCREW SM9/64"-40 L=8	1
6	05-037030801-1	垫片	WASHER	2
7	419.03-02-01	纽扣挑线簧安装支架	INSTALLING BASE	1
8	02-508442921-1	螺钉	SCREW	1
9	419.03-02-02	纽扣挑线簧	BUTTON RISING BAR	1



富山IoT



微信公众号



抖音官方号

上海富山精密机械科技有限公司

HIKARI (SHANGHAI) PRECISE MACHINERY SCIENCE AND TECHNOLOGY CO., LTD

邮箱/E-mail: hikari@chinahikari.com

网址/Web: www.chinahikari.com

传真/Fax: (00)86-21-67311311

电话/Tel: (00)86-21-67311111 (转外贸部/ext .Foreign Trade Dept)

上海市金山区朱泾镇工业园区中达路800号

NO.800, ZHONGDA ROAD, ZHUJING INDUSTRIAL ZONE,

JINSHAN DISTRICT, SHANGHAI CHINA



QUANTITY ATTESTATION
ISO9001质量体系认证